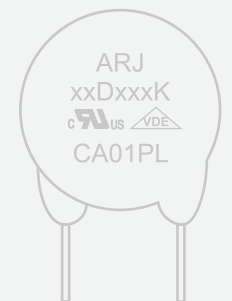


**LEAD EMC**  
EMC Solution Provider

**LEAD EMC**  
EMC Solution Provider

2020-2021版

**M**etal Oxide Varistors  
压敏电阻  
**S**urge Protective Device  
防雷模块



LEAEMC OPERATIONS

**上海公司**

地址：上海市闵行区万源路2163号新桥商务中心A幢207-209室  
TEL：021-64268018  
FAX：021-67185726  
E-mail：jelly@leademc.com

**广州公司**

地址：广州市荔湾区南岸路63号城启大厦510室  
TEL：020-81323106  
FAX：020-81092315  
E-mail：sandy@leademc.com

**深圳公司**

地址：深圳市福田区梅华路105号国际电子商务产业园2栋302A  
TEL：0755-82500822  
FAX：0755-82500303  
E-mail：yuhe@szthdez.com

**无锡公司**

地址：无锡市南长区清名东路298号  
TEL：0510-88271930  
FAX：0510-99271930  
E-mail：vicky@leademc.com

MANUFACTURING FACILITIES

**半导体工厂**

地址：安徽省池州市经济技术开发区金光大道88号

**压敏工厂**

地址：江西省九江市经济技术开发区城西港区港城大道41号

**MOV 压敏电阻**  
Metal Oxide Varistors



**MOV** 压敏电阻  
Metal Oxide Varistors

*Metal Oxide Varistors*

**MOV 压敏电阻**

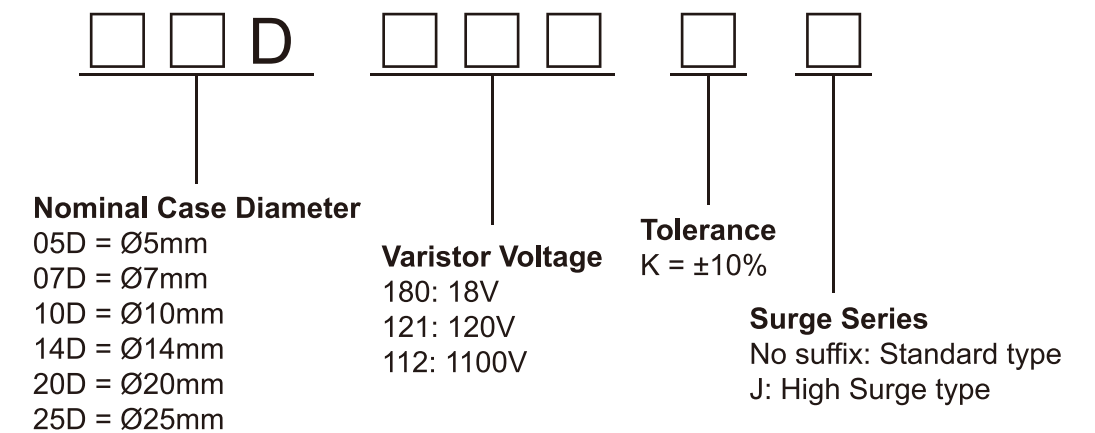
**FEATURES**

- ◆ Wide operating voltage ( $V_{1mA}$ ) range 18V-1800V
- ◆ Fast responding to transient over-voltage
- ◆ Large absorbing transient energy capability
- ◆ Low clamping ratio and no follow-on current
- ◆ Meets MSL level 1, per J-STD-020
- ◆ Operating Temperature:  $-40^{\circ}\text{C} \sim +85^{\circ}\text{C}$
- ◆ Storage Temperature:  $-40^{\circ}\text{C} \sim +125^{\circ}\text{C}$

**APPLICABLE STANDARDS**

- ◆ IEC61051-1, -2, -2-2, IEC60950-1 Annex Q
- ◆ GB/T10193, GB/T10194, GB4943.1, GB8898
- ◆ IEC61000-4-5

**PART NUMBER CODE**



**MOV 压敏电阻**

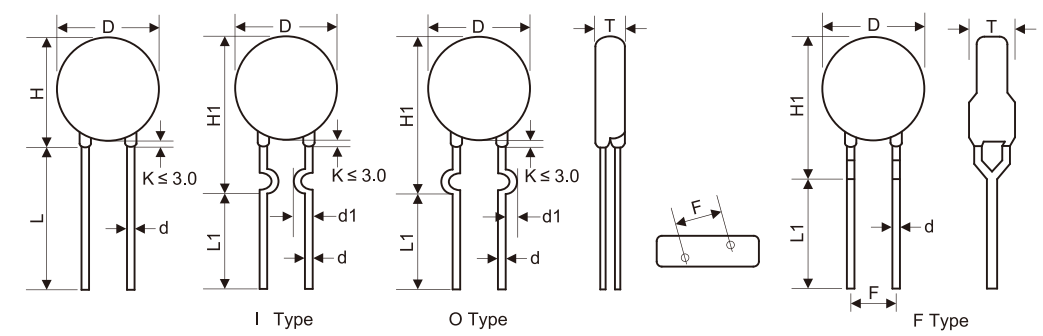
**05D SERIES Metal Oxide Varistors**

**Metal Oxide Varistors 05D SERIES**

**MOV 压敏电阻**

Part Number	Maximum Allowable Voltage		Varistor Voltage V <sub>1.0mA</sub>	IR3	@	Clamping Voltage		Maximum Peak Current (8/20μs)		Maximum Energy (10/1000μs)		Rated Power (W)	Typical Capacitance (Reference) @1KHz (pF)
	V <sub>Ac</sub>	V <sub>Dc</sub>				V <sub>c</sub>	I <sub>p</sub>	Standard	High Surge	Standard	High Surge		
	(V)	(V)	(V)	(A)								(A)	(J)
	μA	(V)	(A)	(A)		(J)							
05D180K(J)	11	14	18(15-21.6)	50	10	40	1	100	250	0.4	0.6	0.01	1400
05D220K(J)	14	18	22(19.5-26)	50	10	48	1	100	250	0.5	0.7	0.01	1150
05D270K(J)	17	22	27(24-31)	50	10	60	1	100	250	0.6	0.9	0.01	930
05D330K(J)	20	26	33(29.5-36.5)	50	10	73	1	100	250	0.8	1.1	0.01	760
05D390K(J)	25	31	39(35-43)	50	15	80	1	100	250	0.9	1.2	0.01	640
05D470K(J)	30	38	47(42-52)	50	15	104	1	100	250	1.1	1.5	0.01	530
05D560K(J)	35	45	56(50-62)	50	15	123	1	100	250	1.3	1.8	0.01	450
05D680K(J)	40	56	68(61-75)	50	15	145	1	100	250	1.6	2.2	0.01	370
05D820K(J)	50	65	82(74-90)	16	28	150	5	400	800	2.5	4.0	0.1	300
05D101K(J)	60	85	100(90-110)	16	28	175	5	400	800	3.0	4.1	0.1	250
05D121K(J)	75	100	120(108-132)	16	28	210	5	400	800	4.0	4.9	0.1	210
05D151K(J)	95	125	150(135-165)	16	28	260	5	400	800	4.8	6.5	0.1	165
05D181K(J)	115	150	180(162-198)	16	38	320	5	400	800	5.9	7.5	0.1	140
05D201K(J)	130	170	200(185-225)	16	38	355	5	400	800	6.5	8.5	0.1	125
05D221K(J)	140	180	220(198-242)	16	38	380	5	400	800	7.0	9.0	0.1	110
05D241K(J)	150	200	240(216-264)	16	38	415	5	400	800	8.0	10.5	0.1	100
05D271K(J)	175	225	270(243-297)	16	38	475	5	400	800	8.5	11.0	0.1	95
05D301K(J)	190	250	300(270-330)	16	38	520	5	400	800	9.0	12.0	0.1	85
05D331K(J)	210	275	330(297-363)	16	38	570	5	400	800	9.5	13.0	0.1	75
05D361K(J)	230	300	360(324-396)	16	38	620	5	400	800	10.0	16.0	0.1	70
05D391K(J)	250	320	390(351-429)	16	38	675	5	400	800	12.0	17.0	0.1	65
05D431K(J)	275	350	430(387-473)	16	38	745	5	400	800	13.0	20.0	0.1	60
05D471K(J)	300	385	470(423-517)	16	38	810	5	400	800	15.0	21.0	0.1	55
05D511K(J)	320	415	510(459-561)	16	38	845	5	400	800	16.0	22.5	0.1	50
05D561K(J)	350	460	560(504-616)	16	38	920	5	400	800	16.8	24.0	0.1	45
05D621K(J)	385	505	620(558-682)	16	30	1025	5	400	800	17.7	26.6	0.1	40
05D681K(J)	420	560	680(612-748)	16	30	1120	5	400	800	19.4	29.1	0.1	38
05D751K(J)	460	615	750(675-825)	16	30	1240	5	400	800	21.8	32.0	0.1	36

**DIMENSIONS**



**Table 1**

Unit:mm	
Symbol	Dimension
D(max.)	7.5
H(max.)	10.5
H0(max.)	13.0
F(±0.8)	5.0
T	Table 2
d(±0.05)	0.6
d1(±0.4)	1.2
L(min.)	20.0
L0(min.)	15.0

**Table 2**

Unit:mm			
Model	T	Model	T
180K	2.03-3.33	221K	2.58-3.98
220K	2.12-3.45	241K	2.66-4.11
270K	2.22-3.64	271K	2.78-4.30
330K	2.34-3.81	301K	2.90-4.49
390K	2.30-3.63	331K	3.02-4.67
470K	2.42-3.84	361K	3.14-4.86
560K	2.56-4.07	391K	3.26-5.05
680K	2.75-4.34	431K	3.42-5.30
820K	2.18-3.39	471K	3.58-5.55
101K	2.28-3.56	511K	3.74-5.81
121K	2.40-3.75	561K	3.94-6.12
151K	2.30-3.54	621K	4.18-6.50
181K	2.42-3.73	681K	4.32-6.87
201K	2.52-3.89	751K	4.42-6.95

**MOV 压敏电阻**

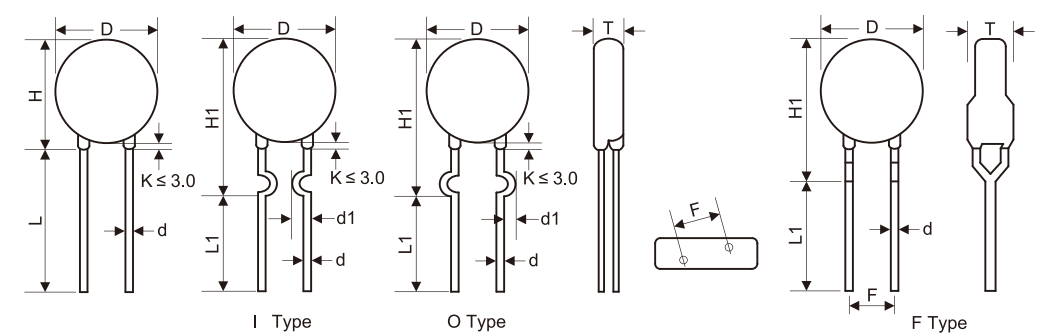
**07D SERIES Metal Oxide Varistors**

**Metal Oxide Varistors 07D SERIES**

**MOV 压敏电阻**

Part Number	Maximum Allowable Voltage		Varistor Voltage V <sub>1.0mA</sub>	IR3	@	Clamping Voltage		Maximum Peak Current (8/20μs)		Maximum Energy (10/1000μs)		Rated Power (W)	Typical Capacitance (Reference) @1KHz (pF)
	V <sub>ac</sub>	V <sub>dc</sub>				V <sub>c</sub>	I <sub>p</sub>	Standard	High Surge	Standard	High Surge		
	(V)	(V)	(V)	(A)		(A)	(A)	(J)	(J)				
	μA	(V)	(A)	(J)		(J)							
07D180K(J)	11	14	18(15-21.6)	50	10	36	2.5	250	500	0.9	2	0.02	2800
07D220K(J)	14	18	22(19.5-26)	50	10	43	2.5	250	500	1.1	2.4	0.02	2300
07D270K(J)	17	22	27(24-31)	50	10	53	2.5	250	500	1.4	3	0.02	1800
07D330K(J)	20	26	33(29.5-36.5)	50	10	65	2.5	250	500	1.7	3.5	0.02	1500
07D390K(J)	25	31	39(35-43)	50	15	77	2.5	250	500	2.1	4	0.02	1300
07D470K(J)	30	38	47(42-52)	50	15	93	2.5	250	500	2.5	5	0.02	1100
07D560K(J)	35	45	56(50-62)	50	15	110	2.5	250	500	3.1	6	0.02	890
07D680K(J)	40	56	68(61-75)	50	15	135	2.5	250	500	3.6	7	0.02	740
07D820K(J)	50	65	82(74-90)	16	28	135	10	1200	1750	5.5	10	0.25	600
07D101K(J)	60	85	100(90-110)	16	28	165	10	1200	1750	6.5	12	0.25	500
07D121K(J)	75	100	120(108-132)	16	28	200	10	1200	1750	7.8	13	0.25	420
07D151K(J)	95	125	150(135-165)	16	28	250	10	1200	1750	9.7	15	0.25	330
07D181K(J)	115	150	180(162-198)	16	38	300	10	1200	1750	11.7	16	0.25	280
07D201K(J)	130	170	200(185-225)	16	38	340	10	1200	1750	13	17	0.25	250
07D221K(J)	140	180	220(198-242)	16	38	360	10	1200	1750	14	19	0.25	230
07D241K(J)	150	200	240(216-264)	16	38	395	10	1200	1750	15	21	0.25	210
07D271K(J)	175	225	270(243-297)	16	38	455	10	1200	1750	18	24	0.25	185
07D301K(J)	190	250	300(270-330)	16	38	500	10	1200	1750	20	26	0.25	165
07D331K(J)	210	275	330(297-363)	16	38	550	10	1200	1750	23	28	0.25	150
07D361K(J)	230	300	360(324-396)	16	38	595	10	1200	1750	24	32	0.25	140
07D391K(J)	250	320	390(351-429)	16	38	650	10	1200	1750	26	35	0.25	130
07D431K(J)	275	350	430(387-473)	16	38	710	10	1200	1750	28	40	0.25	115
07D471K(J)	300	385	470(423-517)	16	38	775	10	1200	1750	29	42	0.25	105
07D511K(J)	320	415	510(459-561)	16	38	845	10	1200	1750	31	45	0.25	100
07D561K(J)	350	460	560(504-616)	16	38	925	10	1200	1750	35	49	0.25	90
07D621K(J)	385	505	620(558-682)	16	30	1025	10	1200	1750	38	55	0.25	80
07D681K(J)	420	560	680(612-748)	16	30	1120	10	1200	1750	42	60	0.25	75
07D751K(J)	460	615	750(675-825)	16	30	1240	10	1200	1750	45	64	0.25	70
07D781K(J)	485	640	780(702-858)	16	30	1290	10	1200	1750	48	69	0.25	65
07D821K(J)	510	670	820(738-902)	16	30	1355	10	1200	1750	52	73	0.25	60
07D911K(J)	550	745	910(819-1001)	16	30	1500	10	1200	1750	57	78	0.25	55

**DIMENSIONS**



**Table 1**

Unit:mm	
Symbol	Dimension
D(max.)	9.0
H(max.)	12.0
H0(max.)	13.5
F(±0.8)	5.0
T	Table 2
d(±0.05)	0.6
d1(±0.4)	1.2
L(min.)	20.0
L0(min.)	15.0

**Table 2**

Unit:mm			
Model	T	Model	T
180K	2.03-3.35	271K	2.57-4.21
220K	2.13-3.48	301K	2.66-4.38
270K	2.23-3.67	331K	2.76-4.56
330K	2.36-3.85	361K	2.86-4.74
390K	2.31-3.66	391K	2.95-4.92
470K	2.44-3.87	431K	3.08-5.16
560K	2.58-4.10	471K	3.21-5.39
680K	2.77-4.38	511K	3.34-5.63
820K	2.18-3.39	561K	3.50-5.93
101K	2.28-3.56	621K	3.69-6.29
121K	2.40-3.76	681K	3.89-6.64
151K	2.18-3.49	751K	4.11-7.06
181K	2.28-3.67	781K	4.21-7.24
201K	2.36-3.82	821K	4.34-7.48
221K	2.41-3.91	911K	4.63-8.01
241K	2.47-4.03		

**MOV 压敏电阻**

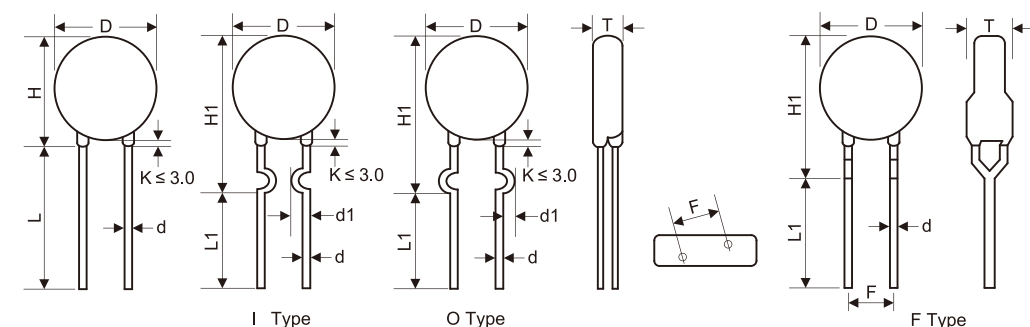
**10D SERIES Metal Oxide Varistors**

**Metal Oxide Varistors 10D SERIES**

**MOV 压敏电阻**

Part Number	Maximum Allowable Voltage		Varistor Voltage V <sub>1.0mA</sub>	IR3	@	Clamping Voltage		Maximum Peak Current (8/20μs)		Maximum Energy (10/1000μs)		Rated Power (W)	Typical Capacitance (Reference) @1KHz (pF)
	V <sub>AC</sub>	V <sub>DC</sub>				V <sub>c</sub>	I <sub>p</sub>	Standard	High Surge	Standard	High Surge		
	(V)	(V)	(V)	(V)		(A)	(A)	(A)	(J)				
	μA	μA	μA	μA									
10D180K(J)	11	14	18(15-21.6)	50	10	43	5	500	1000	2.1	3	0.05	5600
10D220K(J)	14	18	22(19.5-26)	50	10	53	5	500	1000	2.5	5	0.05	4500
10D270K(J)	17	22	27(24-31)	50	10	65	5	500	1000	3.0	6	0.05	3700
10D330K(J)	20	26	33(29.5-36.5)	50	10	79	5	500	1000	4.0	7	0.05	3000
10D390K(J)	25	31	39(35-43)	50	15	94	5	500	1000	4.6	9	0.05	2400
10D470K(J)	30	38	47(42-52)	50	15	113	5	500	1000	5.5	11	0.05	2100
10D560K(J)	35	45	56(50-62)	50	15	134	5	500	1000	7.0	13	0.05	1800
10D680K(J)	40	56	68(61-75)	50	15	163	5	500	1000	8.2	15	0.05	1500
10D820K(J)	50	65	82(74-90)	24	28	197	25	2500	3500	12	17	0.4	1200
10D101K(J)	60	85	100(90-110)	24	28	240	25	2500	3500	15	18	0.4	1000
10D121K(J)	75	100	120(108-132)	24	28	288	25	2500	3500	18	21	0.4	830
10D151K(J)	95	125	150(135-165)	24	28	360	25	2500	3500	22	25	0.4	670
10D181K(J)	115	150	180(162-198)	24	38	432	25	2500	3500	27	30	0.4	560
10D201K(J)	130	170	200(185-225)	24	38	480	25	2500	3500	30	35	0.4	500
10D221K(J)	140	180	220(198-242)	24	38	528	25	2500	3500	32	39	0.4	450
10D241K(J)	150	200	240(216-264)	24	38	576	25	2500	3500	35	42	0.4	420
10D271K(J)	175	225	270(243-297)	24	38	648	25	2500	3500	37	49	0.4	370
10D301K(J)	190	250	300(270-330)	24	38	720	25	2500	3500	40	54	0.4	330
10D331K(J)	210	275	330(297-363)	24	38	792	25	2500	3500	43	58	0.4	300
10D361K(J)	230	300	360(324-396)	24	38	864	25	2500	3500	47	65	0.4	280
10D391K(J)	250	320	390(351-429)	24	38	936	25	2500	3500	60	70	0.4	260
10D431K(J)	275	350	430(387-473)	24	38	1032	25	2500	3500	65	80	0.4	230
10D471K(J)	300	385	470(423-517)	24	38	1128	25	2500	3500	67	85	0.4	210
10D511K(J)	320	415	510(459-561)	24	38	1224	25	2500	3500	69	90	0.4	200
10D561K(J)	350	460	560(504-616)	24	38	1344	25	2500	3500	70	92	0.4	180
10D621K(J)	385	505	620(558-682)	24	30	1488	25	2500	3500	72	95	0.4	160
10D681K(J)	420	560	680(612-748)	24	30	1632	25	2500	3500	75	98	0.4	150
10D751K(J)	460	615	750(675-825)	24	30	1800	25	2500	3500	77	100	0.4	130
10D781K(J)	485	640	780(702-858)	24	30	1872	25	2500	3500	80	105	0.4	125
10D821K(J)	510	670	820(738-902)	24	30	1968	25	2500	3500	85	110	0.4	120
10D911K(J)	550	745	910(819-1001)	24	30	2184	25	2500	3500	93	130	0.4	110
10D102K(J)	625	825	1000(900-1100)	24	30	2400	25	2500	3500	102	140	0.4	100
10D112K(J)	680	895	1100(990-1210)	24	30	2640	25	2500	3500	115	155	0.4	90
10D122K(J)	750	990	1200(1080-1320)	24	30	2880	25	2500	3500	127	165	0.4	80
10D152K(J)	930	1200	1500(1350-1650)	24	30	3600	25	2500	3500	135	180	0.4	70

**DIMENSIONS**



**Table 1**

Unit:mm

Symbol	Dimension
D(max.)	12.5
H(max.)	16.5
H0(max.)	17.5
F(±0.8)	7.5
T	Table 2
d(±0.05)	0.8
d1(±0.4)	1.4
L(min.)	20.0
L0(min.)	15.0

**Table 2**

Unit:mm

Model	T	Model	T
180K	2.44-3.77	331K	3.16-4.96
220K	2.54-3.91	361K	3.26-5.14
270K	2.65-4.11	391K	3.35-5.32
330K	2.77-4.29	431K	3.48-5.56
390K	2.73-4.08	471K	3.61-5.79
470K	2.85-4.30	511K	3.74-6.03
560K	2.99-4.54	561K	3.90-6.33
680K	3.19-4.82	621K	4.09-6.69
820K	2.58-3.80	681K	4.29-7.04
101K	2.69-3.97	751K	4.51-7.46
121K	2.81-4.17	781K	4.61-7.64
151K	2.58-3.89	821K	4.74-7.88
181K	2.68-4.07	911K	5.03-8.41
201K	2.76-4.22	102K	5.31-8.95
221K	2.81-4.31	112K	5.64-9.54
241K	2.87-4.43	122K	5.96-10.14
271K	2.97-4.61	152K	6.92-11.92
301K	3.06-4.78		

**MOV 压敏电阻**

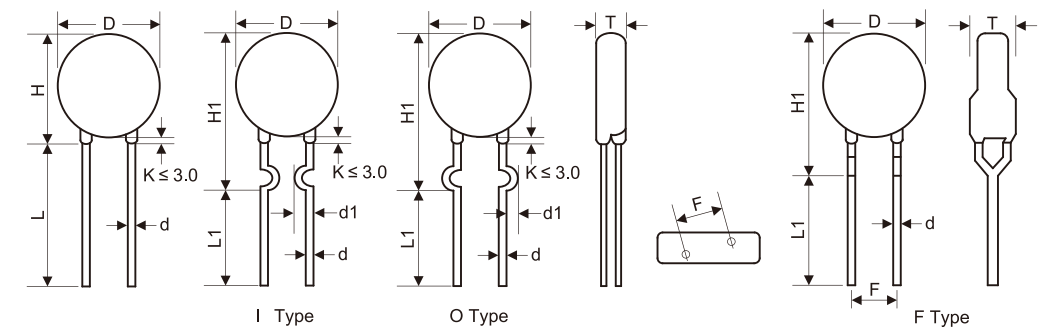
**14D SERIES Metal Oxide Varistors**

**Metal Oxide Varistors 14D SERIES**

**MOV 压敏电阻**

Part Number	Maximum Allowable Voltage		Varistor Voltage V <sub>1.0mA</sub>	IR3 @ μA	Clamping Voltage V <sub>c</sub> (V)	Maximum Peak Current (8/20μs) I <sub>p</sub> (A)	Maximum Peak Current		Maximum Energy		Rated Power (W)	Typical Capacitance (Reference) @1KHz (pF)	
	V <sub>AC</sub> (V)	V <sub>DC</sub> (V)					Standard	High Surge	Standard	High Surge			
	(V)		(A)	(A)			(J)	(J)					
14D180K(J)	11	14	18(15-21.6)	50	10	36	10	1000	2000	4	7	0.1	11100
14D220K(J)	14	18	22(19.5-26)	50	10	43	10	1000	2000	5	8	0.1	9100
14D270K(J)	17	22	27(24-31)	50	10	53	10	1000	2000	6	10	0.1	7400
14D330K(J)	20	26	33(29.5-36.5)	50	10	65	10	1000	2000	7.5	12	0.1	6100
14D390K(J)	25	31	39(35-43)	50	15	77	10	1000	2000	8.6	13	0.1	5100
14D470K(J)	30	38	47(42-52)	50	15	93	10	1000	2000	10	17	0.1	4300
14D560K(J)	35	45	56(50-62)	50	15	110	10	1000	2000	11	20	0.1	3600
14D680K(J)	40	56	68(61-75)	50	15	135	10	1000	2000	14	24	0.1	2900
14D820K(J)	50	65	82(74-90)	24	28	135	50	4500	6000	22	27	0.6	2400
14D101K(J)	60	85	100(90-110)	24	28	165	50	4500	6000	28	33	0.6	2000
14D121K(J)	75	100	120(108-132)	24	28	200	50	4500	6000	32	40	0.6	1700
14D151K(J)	95	125	150(135-165)	24	28	250	50	4500	6000	40	53	0.6	1300
14D181K(J)	115	150	180(162-198)	24	38	300	50	4500	6000	50	60	0.6	1100
14D201K(J)	130	170	200(185-225)	24	38	340	50	4500	6000	57	70	0.6	1000
14D221K(J)	140	180	220(198-242)	24	38	360	50	4500	6000	60	78	0.6	900
14D241K(J)	150	200	240(216-264)	24	38	395	50	4500	6000	63	84	0.6	830
14D271K(J)	175	225	270(243-297)	24	38	455	50	4500	6000	70	99	0.6	740
14D301K(J)	190	250	300(270-330)	24	38	500	50	4500	6000	77	108	0.6	670
14D331K(J)	210	275	330(297-363)	24	38	550	50	4500	6000	85	115	0.6	610
14D361K(J)	230	300	360(324-396)	24	38	595	50	4500	6000	93	130	0.6	560
14D391K(J)	250	320	390(351-429)	24	38	650	50	4500	6000	100	140	0.6	510
14D431K(J)	275	350	430(387-473)	24	38	710	50	4500	6000	115	155	0.6	460
14D471K(J)	300	385	470(423-517)	24	38	775	50	4500	6000	118	175	0.6	430
14D511K(J)	320	415	510(459-561)	24	38	845	50	4500	6000	121	180	0.6	390
14D561K(J)	350	460	560(504-616)	24	38	925	50	4500	6000	125	185	0.6	360
14D621K(J)	385	505	620(558-682)	24	30	1025	50	4500	6000	128	190	0.6	320
14D681K(J)	420	560	680(612-748)	24	30	1120	50	4500	6000	130	200	0.6	290
14D751K(J)	460	615	750(675-825)	24	30	1240	50	4500	6000	143	210	0.6	270
14D781K(J)	485	640	780(702-858)	24	30	1290	50	4500	6000	148	220	0.6	260
14D821K(J)	510	670	820(738-902)	24	30	1355	50	4500	6000	157	235	0.6	240
14D911K(J)	550	745	910(819-1001)	24	30	1500	50	4500	6000	175	255	0.6	220
14D102K(J)	625	825	1000(900-1100)	24	30	1650	50	4500	6000	190	280	0.6	200
14D112K(J)	680	895	1100(990-1210)	24	30	1815	50	4500	6000	213	310	0.6	180
14D122K(J)	750	990	1200(1080-1320)	24	30	1980	50	4500	6000	232	324	0.6	160
14D142K(J)	880	1140	1400(1260-1540)	24	30	2310	50	4500	6000	238	327	0.6	150
14D162K(J)	1000	1280	1600(1440-1760)	24	30	2640	50	4500	6000	243	331	0.6	140
14D182K(J)	1100	1465	1800(1620-1980)	24	30	2970	50	4500	5000	250	335	0.6	130

**DIMENSIONS**



**Table 1**

Unit:mm

Symbol	Dimension
D(max.)	16.5
H(max.)	20.0
H0(max.)	21.0
F(±0.8)	7.5
T	Table 2
d(±0.05)	0.8
d1(±0.4)	1.4
L(min.)	20.0
L0(min.)	15.0

**Table 2**

Unit:mm

Model	T	Model	T
180K	2.55-3.80	361K	3.38-5.20
220K	2.65-3.94	391K	3.48-5.38
270K	2.76-4.14	431K	3.61-5.63
330K	2.89-4.33	471K	3.74-5.87
390K	2.84-4.11	511K	3.87-6.12
470K	2.96-4.33	561K	4.03-6.42
560K	3.11-4.58	621K	4.23-6.79
680K	3.31-4.87	681K	4.43-7.16
820K	2.64-3.81	751K	4.65-7.23
101K	2.74-3.98	781K	4.75-7.29
121K	2.84-4.18	821K	4.88-7.51
151K	2.69-3.97	911K	5.18-7.55
181K	2.79-4.16	102K	5.47-8.00
201K	2.87-4.32	112K	5.80-8.50
221K	2.92-4.34	122K	6.13-9.00
241K	2.99-4.47	142K	7.11-10.50
271K	3.08-4.65	162K	7.44-11.00
301K	3.18-4.83	152K	8.09-12.00
331K	3.28-5.02		

**MOV 压敏电阻**

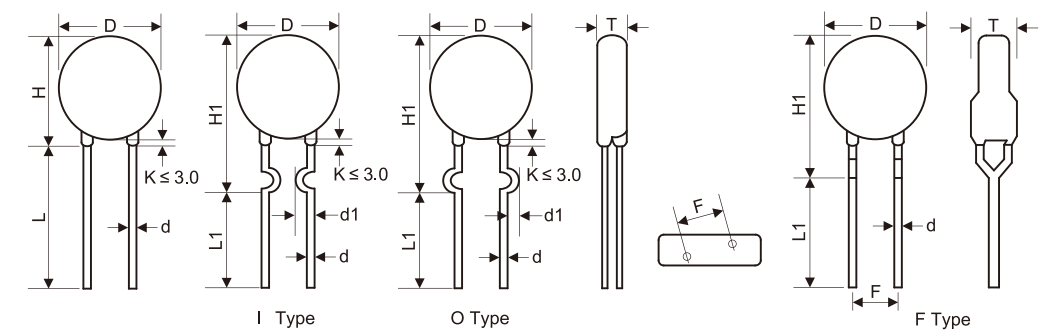
**20D SERIES Metal Oxide Varistors**

**Metal Oxide Varistors 20D SERIES**

**MOV 压敏电阻**

Part Number	Maximum Allowable Voltage		Varistor Voltage V <sub>1.0mA</sub>	IR3 @ μA	Clamping Voltage V <sub>c</sub> I <sub>p</sub>	Maximum Peak Current (8/20μs)		Maximum Energy (10/1000μs)		Rated Power (W)	Typical Capacitance (Reference) @1KHz (pF)		
	V <sub>AC</sub>	V <sub>DC</sub>				Standard	High Surge	Standard	High Surge				
	(V)	(V)	(A)							(J)			
			(V)	(V)		(V)	(A)						
20D180K(J)	11	14	18(15-21.6)	50	10	36	20	2000	3000	11	13	0.2	28500
20D220K(J)	14	18	22(19.5-26)	50	10	43	20	2000	3000	14	16	0.2	18500
20D270K(J)	17	22	27(24-31)	50	10	53	20	2000	3000	16	19	0.2	13000
20D330K(J)	20	26	33(29.5-36.5)	50	10	65	20	2000	3000	23	24	0.2	11500
20D390K(J)	25	31	39(35-43)	50	15	77	20	2000	3000	26	28	0.2	8500
20D470K(J)	30	38	47(42-52)	50	15	93	20	2000	3000	30	34	0.2	7400
20D560K(J)	35	45	56(50-62)	50	15	110	20	2000	3000	38	44	0.2	6500
20D680K(J)	40	56	68(61-75)	50	15	135	20	2000	3000	41	49	0.2	5800
20D820K(J)	50	65	82(74-90)	24	28	135	100	6500	10000	45	56	1.0	4900
20D101K(J)	60	85	100(90-110)	24	28	165	100	6500	10000	50	70	1.0	4000
20D121K(J)	75	100	120(108-132)	24	28	200	100	6500	10000	55	85	1.0	3300
20D151K(J)	95	125	150(135-165)	24	28	250	100	6500	10000	70	106	1.0	2700
20D181K(J)	115	150	180(162-198)	24	38	300	100	6500	10000	85	130	1.0	2200
20D201K(J)	130	170	200(185-225)	24	38	340	100	6500	10000	95	140	1.0	2000
20D221K(J)	140	180	220(198-242)	24	38	360	100	6500	10000	100	155	1.0	1800
20D241K(J)	150	200	240(216-264)	24	38	395	100	6500	10000	108	168	1.0	1650
20D271K(J)	175	225	270(243-297)	24	38	455	100	6500	10000	127	190	1.0	1500
20D301K(J)	190	250	300(270-330)	24	38	500	100	6500	10000	136	210	1.0	1300
20D331K(J)	210	275	330(297-363)	24	38	550	100	6500	10000	150	228	1.0	1200
20D361K(J)	230	300	360(324-396)	24	38	595	100	6500	10000	163	255	1.0	1100
20D391K(J)	250	320	390(351-429)	24	38	650	100	6500	10000	180	275	1.0	1000
20D431K(J)	275	350	430(387-473)	24	38	710	100	6500	10000	190	305	1.0	930
20D471K(J)	300	385	470(423-517)	24	38	775	100	6500	10000	204	350	1.0	850
20D511K(J)	320	415	510(459-561)	24	38	845	100	6500	10000	210	360	1.0	780
20D561K(J)	350	460	560(504-616)	24	38	925	100	6500	10000	215	380	1.0	710
20D621K(J)	385	505	620(558-682)	24	30	1025	100	6500	10000	224	390	1.0	650
20D681K(J)	420	560	680(612-748)	24	30	1120	100	6500	10000	230	400	1.0	600
20D751K(J)	460	615	750(675-825)	24	30	1240	100	6500	10000	255	420	1.0	530
20D781K(J)	485	640	780(702-858)	24	30	1290	100	6500	10000	265	440	1.0	510
20D821K(J)	510	670	820(738-902)	24	30	1355	100	6500	10000	282	460	1.0	500
20D911K(J)	550	745	910(819-1001)	24	30	1500	100	6500	10000	310	510	1.0	440
20D102K(J)	625	825	1000(900-1100)	24	30	1650	100	6500	10000	342	565	1.0	400
20D112K(J)	680	895	1100(990-1210)	24	30	1815	100	6500	10000	383	620	1.0	360
20D122K(J)	750	990	1200(1080-1320)	24	30	1980	100	6500	10000	408	660	1.0	350
20D142K(J)	880	1140	1400(1260-1540)	24	30	2310	100	6500	10000	532	784	1.0	340
20D162K(J)	1000	1280	1600(1440-1760)	24	30	2640	100	6500	10000	606	896	1.0	330
20D182K(J)	1100	1465	1800(1620-1980)	24	30	2970	100	6500	10000	625	990	1.0	320

**DIMENSIONS**



**Table 1**

Unit:mm

Symbol	Dimension
D(max.)	23.0
H(max.)	26.5
H0(max.)	28.0
F(±0.8/1.0)	7.5/10.0
T	Table 2
d(±0.05)	0.8/1.0
d1(±0.4)	1.4/1.6
L(min.)	20.0
L0(min.)	15.0

**Table 2**

Unit:mm

Model	T	Model	T
180K	2.96-4.23	361K	3.82-5.38
220K	3.06-4.37	391K	3.92-5.55
270K	3.17-4.59	431K	4.06-5.77
330K	3.30-4.78	471K	4.20-5.99
390K	3.25-4.54	511K	4.33-6.21
470K	3.38-4.77	561K	4.50-6.48
560K	3.53-5.02	621K	4.71-6.81
680K	3.73-5.32	681K	4.91-7.14
820K	3.05-4.22	751K	5.15-7.53
101K	3.15-4.39	781K	5.25-7.69
121K	3.25-4.59	821K	5.38-7.91
151K	3.11-4.40	911K	5.69-8.17
181K	3.21-4.60	102K	6.00-8.64
201K	3.30-4.76	112K	6.34-9.16
221K	3.35-4.61	122K	6.68-9.69
241K	3.42-4.72	142K	7.69-11.26
271K	3.52-4.89	162K	8.03-11.78
301K	3.62-5.05	152K	8.71-12.83
331K	3.72-5.22		

**MOV 压敏电阻**

**25D SERIES Metal Oxide Varistors**

**Metal Oxide Varistors 25D SERIES**

**MOV 压敏电阻**

Part Number	Maximum Allowable Voltage		Varistor Voltage V <sub>1.0mA</sub>	Clamping Voltage		Maximum Peak Current (8/20μs)		Maximum Energy 10/1000μs	Typical Capacitance (Reference) @1KHz
	V <sub>AC</sub>	V <sub>DC</sub>		V <sub>c</sub>	I <sub>p</sub>	Standard	High Surge		
	(V)	(V)	(V)	(V)	(A)	(A)		(J)	(pF)
25D820K(J)	50	65	82(74-90)	135	150	8000	18000	80	7700
25D101K(J)	60	85	100(90-110)	165	150	8000	18000	100	6300
25D121K(J)	75	100	120(108-132)	200	150	8000	18000	120	5200
25D151K(J)	95	125	150(135-165)	250	150	8000	18000	160	4300
25D181K(J)	115	150	180(162-198)	300	150	8000	18000	175	3500
25D201K(J)	130	170	200(185-225)	340	150	8000	18000	190	3200
25D221K(J)	140	180	220(198-242)	360	150	8000	18000	200	2900
25D241K(J)	150	200	240(216-264)	395	150	8000	18000	220	2650
25D271K(J)	175	225	270(243-297)	455	150	8000	18000	255	2400
25D301K(J)	190	250	300(270-330)	500	150	8000	18000	275	2100
25D331K(J)	210	275	330(297-363)	550	150	8000	18000	300	1900
25D361K(J)	230	300	360(324-396)	595	150	8000	18000	330	1750
25D391K(J)	250	320	390(351-429)	650	150	8000	18000	360	1600
25D431K(J)	275	350	430(387-473)	710	150	8000	18000	380	1500
25D471K(J)	300	385	470(423-517)	775	150	8000	18000	400	1400
25D511K(J)	320	415	510(459-561)	845	150	8000	18000	420	1250
25D561K(J)	350	460	560(504-616)	925	150	8000	18000	440	1150
25D621K(J)	385	505	620(558-682)	1025	150	8000	18000	450	1050
25D681K(J)	420	560	680(612-748)	1120	150	8000	18000	460	950
25D751K(J)	460	615	750(675-825)	1240	150	8000	18000	510	850
25D781K(J)	485	640	780(702-858)	1290	150	8000	18000	530	800
25D821K(J)	510	670	820(738-902)	1355	150	7000	15000	570	750
25D911K(J)	550	745	910(819-1001)	1500	150	7000	15000	620	700
25D102K(J)	625	825	1000(900-1100)	1650	150	7000	15000	685	650
25D112K(J)	680	895	1100(990-1210)	1815	150	7000	15000	770	600
25D122K(J)	750	990	1200(1080-1320)	1980	150	7000	15000	770	550

**DIMENSIONS**

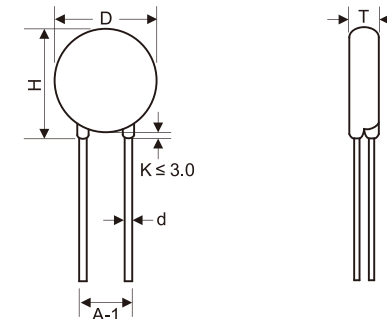


Table 1	
Unit:mm	
Symbol	Dimension
D(max.)	26.0
H(max.)	31.0
T	Table 2
d(±0.1)	1.0
A-1(±0.1)	10.0

Table 2			
Unit:mm			
Model	T	Model	T
820K	4.9	431K	7.1
101K	5.1	471K	7.4
121K	5.2	511K	7.8
151K	5.6	561K	8.1
181K	5.3	621K	8.5
201K	5.5	681K	8.6
221K	5.6	751K	9.1
241K	5.7	781K	9.3
271K	5.9	821K	9.6
301K	6.1	911K	10.2
331K	6.3	102K	10.8
361K	6.6	112K	11.5
391K	6.8	122K	12.2